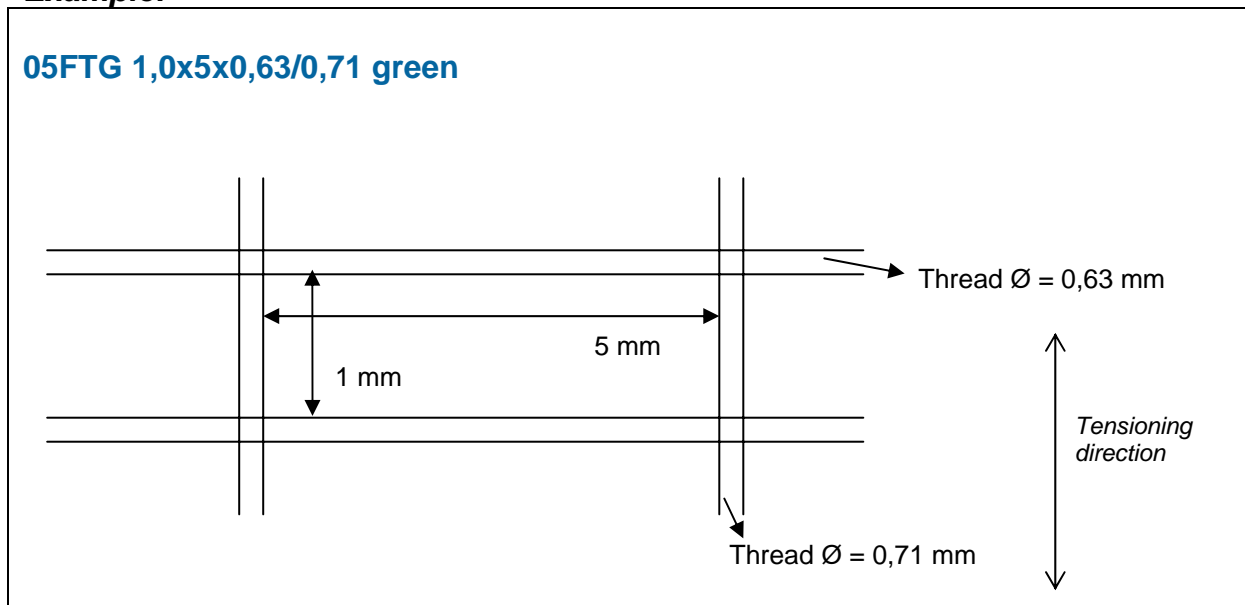


## Principles for screen cloth descriptions

### Example:

**05FTG 1,0x5x0,63/0,71 green**



### 05

the width of the machine in question, (in this case 0,5 meter). This is not the width of the actual screen cloth. The cloth is somewhat narrower to fit in the machine. If the width is further adjusted to fit a machine with wear protection lining, the width in mm is also indicated. Please let us know when ordering if your machine is fitted with wear protection.

We have screen cloths for our entire Sizer programme:

**02**= screen cloth for a 0,2 meter wide machine

**05**=0,5 meter

**10**= 1 meter

**15**=1,5 meter

For the 2 meter machines, two screen cloths **10** are used on each deck.

### F

Material of the screen cloth wire.

**R**= Stainless Steel

**F**= High-carbon Steel

### TG

An addition of two extra letters is made if the mesh opening is not square.

**TG**= cross-slotted mesh opening

**LG**= longitudinal mesh opening

### 1,0x5

Actual size of the mesh opening. In this case, the opening is 1 mm high and 5 mm wide. If the mesh opening is square, only one measure is denoted.

### 0,63/0,71

Diameter of the wires. On this screen cloth, two different wires are being used and the transversal wire is noted first.



### green

Tensioning range of the screen cloth. This is indicated by a colour coding system with four different colours, based upon the screen cloth's material, mesh aperture, mesh shape, as well as wire diameter. The screen cloth tensioning units are colour marked accordingly.

The higher the required tension the "hotter" the colour: blue, green, yellow, red.



### length

No length is indicated on the standard length screen cloth (=1330 mm). If the length differs from this, it is noted with **L=2400**. This length is used for our SEL machines.

#### **More examples:**

##### **10R 1,15x0,40 green**

*Screen cloth for a 1 meter wide machine, with a quadratic mesh opening of 1,15 x 1,15 mm, and wires in stainless steel with a thickness of  $\varnothing$  0,40 mm. It requires a green marked tensioning unit.*

##### **15F 8,0x1,2 yellow 965L=2400**

*Screen cloth for a 1,5 m wide machine, with a quadratic mesh opening of 8 mm made of high-carbon steel wire,  $\varnothing$  1,2 mm. The width is 965 mm (adjusted for wear protection lining). The cloth is extra long; 2400 mm to fit our SEL sizers. Yellow tensioning unit should be used.*